

SERIES 500

Flash Arrester Fill Unit


PROTECTOSEAL.

- Sizes 2" and 3" NPS threaded connections
- Factory Mutual Approved in all sizes
- Suitable for use with vapors equivalent to NEC 500 Group D, IEC Group IIA
- Double-wall perforated flash arrester prevents flashback into the tank
- Design allows for padlocking of the cap
- Easy inspection and maintenance
- Factory inspected prior to shipment
- Available in Brass and Stainless Steel



SERIES 500

OBJECTIVE

The Protectoseal Series No. 500 Flash Arrester Fill Units are particularly suited for installations in storage tank openings where tanks are filled by direct connection from trucks or railroad tank cars. All connections are NPS pipe threads to insure positive and secure attachment of hose fittings. A double-walled perforated metal flash arrester is provided with each unit to protect the tank contents from exterior sources of ignition.

TECHNIQUE

The Flash Arrester Fill Units are installed by threading the fitting directly onto the tank fill pipe. The hose from the supply source can then be connected to the external NPS threads on the head assembly. Liquid flows through the perforated, double-wall flash arrester into the tank. When the hose is removed, this flash arrester prohibits ignition of the vapors inside the tank if some external ignition source is present. When the fill line is not in use, the opening should be covered by the rugged, cast threaded cap that is provided. It is recommended that the tank also be equipped with a Protectoseal flame arrester device, such as the Series Nos. 830, 860 or 670/6670. When properly sized and applied, these vents will prevent excessive pressure or vacuum accumulations within the tank during filling and emptying procedures. Fill pipes should be provided with shut-off valves for safeguarding the tank's contents if the Series 500 Flash Arrester Fill Unit is removed for inspection or cleaning.

SPECIAL FEATURES

Easy Inspection, Installation and Maintenance. Installation is made by simply screwing the fitting onto the fill pipe. For fast, efficient filling, the hose line from the source of supply is screwed directly to the head assembly. Flash arrester assembly can be removed for inspection or cleaning.

Tapered Flash Arrester. The Protectoseal Series 500 Flash Arrester Fill Unit is equipped with a tapered, double-wall flash arrester screen. The tapered design allows for faster filling rates. Provides positive protection against flashback that could ignite the tank's vapor space.

Sturdy Construction. The heavy head and cap castings provide substantial protection against normal corrosion. Standard brass construction of head and arrester minimizes the possibility of sparking when making or breaking connections. Each unit is designed to allow padlocking of the cap for increased safety and security.

Sizes Available. 2" and 3" have standard NPS threaded connections. Use chart on reverse for ordering information.

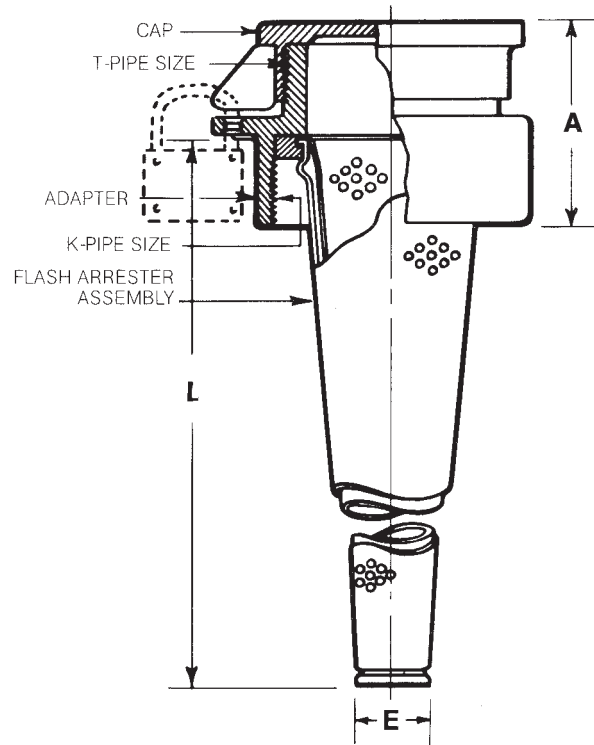
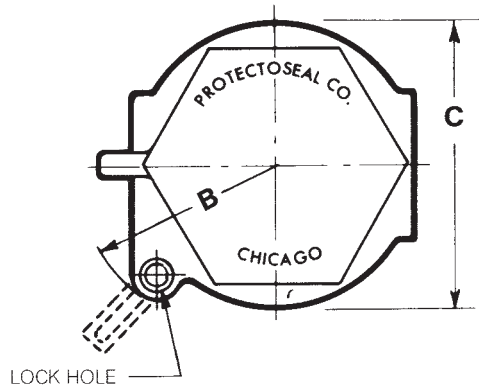
Test Lab Listings. Factory Mutual Approved (FM) in 2" and 3" sizes inclusive.

Quality Assurance. Each unit is inspected to meet Protectoseal's high standards prior to shipment.

CONSTRUCTION

A comprehensive range of materials is offered as shown in the chart below. Other materials and features can be furnished upon request.

Series	Head Assembly	Flash Arrester
500	Brass	Brass
F500	S.S. 316	S.S. 316



DIMENSIONS & ORDERING INFORMATION (Dimensions shown are for reference only, contact Factory for certified drawings.)

Cat. No.*	Pipe Size K (Female)	Pipe Size T (Male)	A	B	C	L	E
519	2"	2"	2 ⁷ / ₁₆ "	2 ⁵ / ₈ "	2 ³ / ₄ "	8"	1"
520	3"	3"	3 ¹ / ₄ "	3 ¹ / ₁₆ "	3 ⁷ / ₈ "	11"	1 ¹ / ₂ "

* Cat. No. designates all Brass construction, please refer to chart on reverse for other materials of construction.

ADDITIONAL PRODUCTS FROM PROTECTOSEAL

Series 18540



Pipe-Away Pressure Vacuum Relief Vent for applications that require hazardous vapors be processed into manifolded piping and not released into the atmosphere.

Series 7800



Emergency Vent protects tanks against rupture or explosion resulting from excessive internal pressure caused by exposure to fires.

Series 4950



Vent Line / In-Line Parallel Plate Flame Arrester is designed for installation in open vent pipe or bleed lines from storage or processing tanks. Suitable for NEC Group D (IEC Group IIA) vapors.

Series 830



Combination Pressure / Vacuum Relief Vent & Flame Arrester provides pressure and vacuum relief as well as protection from propagation of externally introduced flames. Suitable for NEC Group D (IEC Group IIA) vapors.