

### CAUTION:

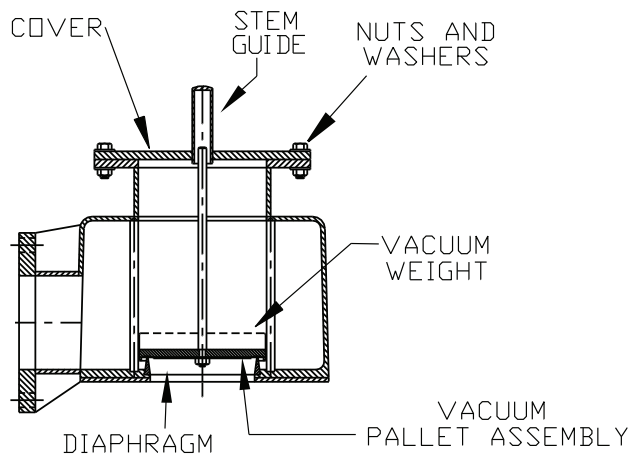
If any questions arise concerning the proper installation or maintenance of our products, please contact Protectoseal or one of our Authorized Representatives.

When installing any Protectoseal device, the legal, corporate and advisory safety regulations and procedures appropriate for the specific installation site must be fully understood and followed.



**NOTE 1:** This Vent style includes a removable cover.

**NOTE 2:** When vacuum weights (packed separately if heavy) are included with a unit, the weights should be inspected, properly identified and set aside for later installation. Weights will be stamped with a serial number matching the number on the vent; a statement as to the contribution that each weight provides to the total vacuum setting. If weights are coated with resin, care must be to avoid damage to the coating.



5. Mount the vent to the appropriate tank flange using gaskets compatible with service conditions. For best performance, the vent should be mounted level so that the seating surfaces are no more than 1° off horizontal.
6. Reinstall the vacuum pallet assembly. Setting weights (if provided) should be installed by engaging the hole in the weight on the pallet assembly stem. Make sure that weights are properly installed as marked to provide specified set points. Heavy weights may be provided with (2) tapped holes (with 1/4-20 UNC-2B threads) to temporarily attach lifting hardware to facilitate installation. Any such threaded fasteners must be fully engaged with both tapped holes prior to installation and must be removed from the weights afterwards. Foreign objects will limit the lift capability of the pallet assembly and will reduce rated flow capacity of the vent.

Lifting hardware (Part No. 4245143200) may be purchased. Note: Do not use for over 50 lbs. Warning: Never use to lift people or items over people.

7. Replace the cover. Note: Make sure that the vacuum pallet assembly stem positively engage the hole in the stem guide in the cover. The pallet assembly must be free to move upwards, with the pallet stem traveling into the stem guide.
8. Secure cover washers and nuts.

### INSTALLATION PROCEDURE:

1. Loosen nuts and remove cover.
2. Withdraw vacuum pallet assembly. Remove and discard protective cardboard and tape from assembly. The cardboard protects the diaphragms during shipment.
3. Remove protective flange cover.
4. Check carefully to insure that all packing materials are removed from on or inside the vent housing and from the pallet assembly.

## MAINTENANCE:

Protectoseal recommends that our products be inspected and maintained according to the normal maintenance schedule of the facility. At a minimum, maintenance should be conducted annually. More frequent maintenance may be required, and should be scheduled, for unusual service conditions.

**CAUTION: When maintaining any Protectoseal device, the legal, corporate and advisory safety regulations and procedures appropriate for the specific installation site must be fully understood and followed.**

**CAUTION: Tank vapor space pressure or vacuum should be relieved before any maintenance operations are undertaken.**

## MAINTENANCE PROCEDURE:

1. Loosen nuts and remove cover.
2. Inspect the gasket on the cover. Replace if deteriorated or damaged.
3. Remove any loose dirt or foreign material from the housing interior and exterior. Check inside the stem guide hole of the cover and remove any dirt or accumulation of foreign material.
4. Withdraw the vacuum pallet assembly and any weights. Set aside for inspection. Note: Identify any weights on the vacuum pallet assembly for later reinstallation.
5. Inspect and clean the machined seating surface in the vent housing with a suitable cleaning fluid. Seats should be free of nicks, mars or accumulations of foreign material.

**CAUTION: Do not use a file or other sharp tool to clean the seating surface.**

6. Inspect the pallet assembly. If pallet is deteriorated, it must be replaced. Inspect the diaphragm material in the pallet assembly. The diaphragm must be clean, flat and smooth. If the diaphragm material is deteriorated, it must be replaced. Make sure that all nuts and screws on the pallet assembly are tightened securely.
7. Reinstall the vacuum pallet assembly. Setting weights (if provided) should be installed by engaging the hole in the weight on the pallet assembly stem. Make sure that weights are properly installed as marked to provide specified set points. Heavy weights may be provided with (2) tapped holes (with 1/4-20 UNC-2B threads) to temporarily attach lifting hardware to facilitate installation. Any such threaded fasteners must be fully engaged with both tapped holes prior to installation and must be removed from the weights afterwards. Foreign objects will limit the lift capability of the pallet assemblies and will reduce rated flow capacity of the vent.  
  
Lifting hardware (Part No. 4245143200) may be purchased. Note: Do not use for over 50 lbs. Warning: Never use to lift people or items over people.
8. Replace the cover. Note: Make sure that the vacuum pallet assembly stem positively engages the hole in the stem guide in the cover. The pallet assembly must be free to move upwards, with the pallet stem traveling into the stem guide.
9. Replace cover and secure with washers and nuts.

## ADDITIONAL PRODUCTS FROM PROTECTOSEAL

Series 18540



Pipe-Away Pressure Vacuum Relief Vent for applications that require hazardous vapors be processed into manifolded piping and not released into the atmosphere

Series 7800



Emergency Vent protects tanks against rupture or explosion resulting from excessive internal pressure caused by exposure to fires.

Series 4950



Vent Line / In-Line Parallel Plate Flame Arrester is designed for installation in open vent pipe or bleed lines from storage or processing tanks. Suitable for NEC Group D (IEC Group IIA) vapors

Series 830



Combination Pressure / Vacuum Relief Vent & Flame Arrester provides pressure and vacuum relief as well as protection from propagation of externally introduced flames. Suitable for NEC Group D (IEC Group IIA) vapors.