

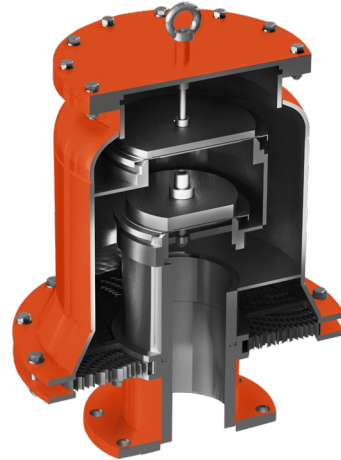
FAB Valve® Series

End-of-Line Deflagration Flame Arresters



Deflagration Flame Arrester for NEC Explosion Gas Group C & D with integral Pressure and Vacuum Conservation Vent

The Protectoseal FAB Valve® Series integrates a RE-Flow® Deflagration Flame Arrester with a Pressure and Vacuum Conservation Vent.



Principle of Operation

The FAB Valve® Series serves as both a Pressure and Vacuum Conservation Vent and a Deflagration Flame Arrester.

Pressure Conservation Vent: prevents vapor loss up to the set pressure and provides dependable protection against excessive pressure.

Vacuum Conservation Vent: prevents air ingress up to the set vacuum pressure and provides reliable protection against excessive vacuums.

Flame Arrester: provides additional protection against atmospheric deflagrations.

Operating Conditions

The Protectoseal FAB Valve® Series is ATEX-approved for a maximum operating temperature of **140°F** or **60°C**. For high-temperature models, the maximum operating temperature is increased to **302°F** or **150°C**.

Explosion Gas Groups

The Protectoseal FAB Valve® Series is certified for gases in **NEC Groups C and D** and **IEC Groups IIA1, IIA, IIB1, IIB2 and IIB3**.

Standards Compliance

Protectoseal's FAB Valve® has been type-tested to **EN ISO 16852** and approved according to **ATEX Directive 2014/34/EU**.

Each FAB Valve® that passes through Protectoseal's facilities undergoes a rigorous inspection and verification of its safety and performance features.

Protectoseal Expertise

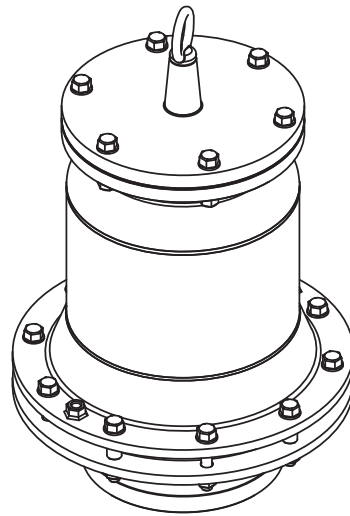
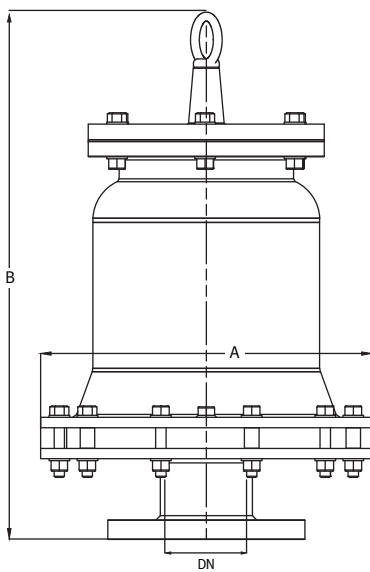
Protectoseal offers industry leading technical leadership with its renowned flame and explosion protection for the most diverse and challenging of industrial applications. By utilizing a range of testing facilities, advanced algorithms and computational fluid dynamics (CFD), our research and development team is constantly looking for new ways to challenge the status quo, thus providing best-in-class innovation.

With over 95 years in the business, we have an established sales and service team to support clients with their initial specifications and throughout the product's life cycle.

Features and Benefits

- Outstanding flow capacity with minimal pressure drop
- Compact, light, and simple to install
- Elements feature replaceable, easy-to-clean crimped-ribbon
- Financial savings due to reduced product loss
- Low-leakage
- Easy in-situ inspection and maintenance
- Self-draining element prevents fouling and clogging
- Optimized pallet design and sealing to reduce chattering
- Innovative valve design offers complete weather protection
- Meets API Std 2000 and ISO 28300 regulations

General Arrangements:



Specifications:

Pressure:

0.05 psi to 0.51 psi
3.5 mbarg to 35 mbarg

Vacuum:

-0.03 psi to -0.29 psi
-2.0 mbarg to -20 mbarg

Sealing: FEP, PTFE

Weight: Lead, Stainless Steel

Connection Size: 2" to 12"

Selection Key

| Positions | 1 | 2 | 3 | 4 | 5 | 6 | 7 | 8 | 9 |
|-----------|---|---|---|---|---|---|---|---|---|
| Example | F | A | B | - | 0 | 5 | 0 | A | S |
| Table | a | b | c | - | d | | | e | f |
| Model No. | F | A | B | - | | | | A | |

| Options | | |
|---------|---------------------------------|-----------------------------------|
| a | Flame Arrester Type | Flame Arrester Breather |
| b | Model Variation | - |
| c | Gas Group | C, D, IIA1, IIA, IIB1, IIB2, IIB3 |
| d | Size | Refer to Table 1 |
| e | Pipe Connection Type | ANSI 150lb. RF |
| f | Flame Arrester Housing Material | Refer to Table 2 |

Table 1: Sizes

| d | Size | A | B | f |
|-----|------------|---------------|---------------|--------|
| 050 | 2", 50mm | 12.60", 320mm | 17.91", 455mm | D or T |
| 080 | 3", 80mm | 12.60", 320mm | 17.91", 455mm | D or T |
| 100 | 4", 100mm | 15.94", 405mm | 22.05", 560mm | C or S |
| 150 | 6", 150mm | 17.80", 452mm | 29.72", 755mm | C or S |
| 200 | 8", 200mm | 21.85", 555mm | 34.45", 875mm | C or S |
| 250 | 10", 200mm | 24.02", 610mm | 36.42", 925mm | C or S |
| 300 | 12", 300mm | 25.39", 645mm | 37.80", 960mm | C or S |

Table 2: Flame Arrester Housing Materials

| f | Flame Arrester Housing (Body) Material |
|---|--|
| C | Fabricated Carbon Steel |
| D | Cast Carbon Steel |
| S | Fabricated 316/316L Stainless Steel |
| T | Cast 316 Stainless Steel |

Customer Support

Tel: 1.630.595.0800
 Email: info@protectoseal.com
 Fax: 1.630.595.8059
 225 Foster Avenue Bensenville, IL 60106 U.S.A

